



BoxPC-203-G01-00F

Four 4K HDMI Outputs Thin Client

Features

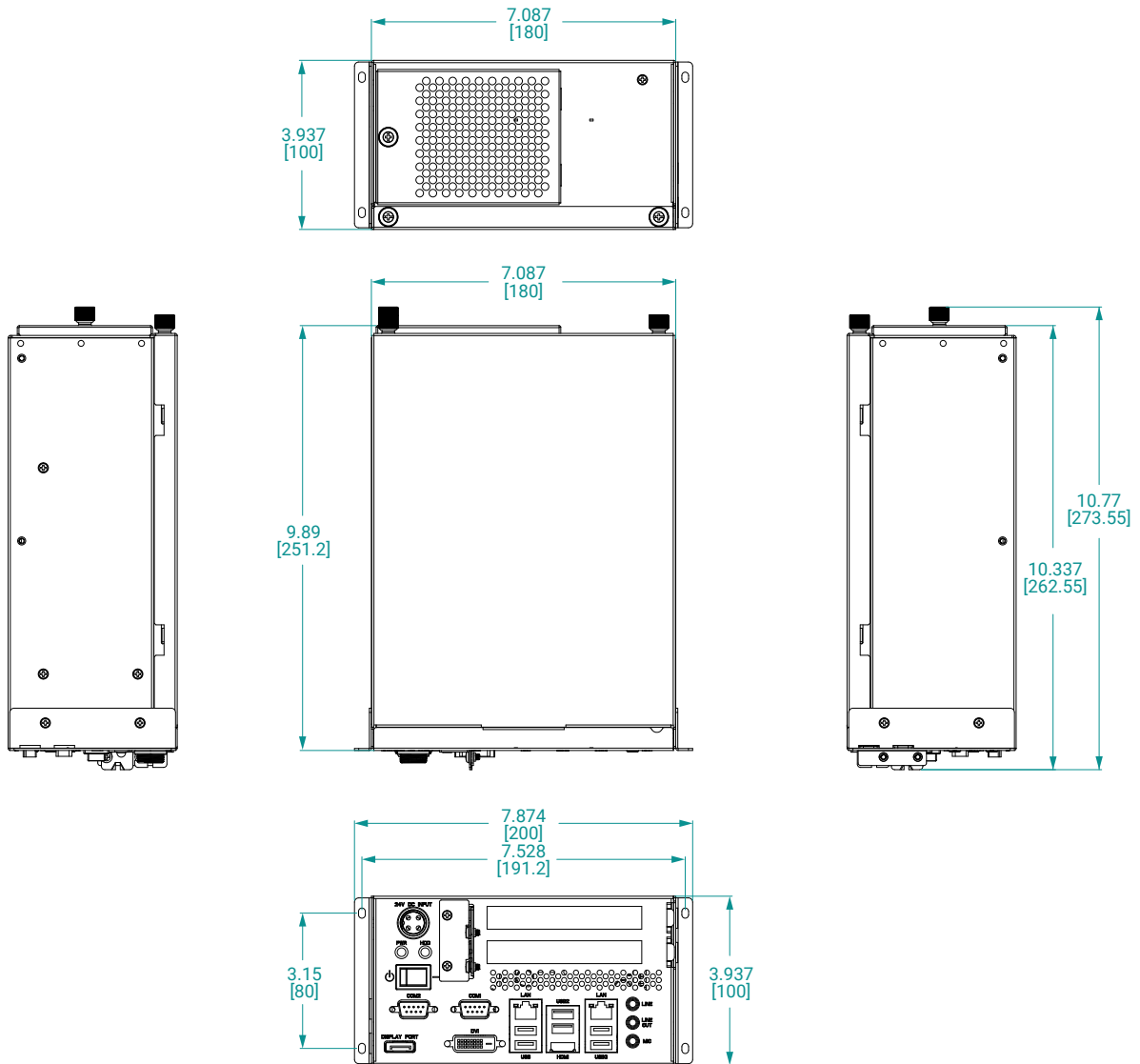
- Intel i7-3630QM CPU
- 8GB DDR3 SO-DIMM
- Four 4K HDMI
- Dual Gigabit Ethernet
- ThinManager Ready

Specifications

Model Name	BoxPC-203-G01-00F
system	
CPU	i7-3620QM
Chipset	Intel QM77
Memory	8GB DDR3 SO-DIMM
Video Controller	Intel HD Graphics 4000
Video Interface	Four HDMI 2.0 (3840 x 2160)
Storage Option	N/A
Compact Flash	N/A
Keyboard / Mouse	USB / PS2
Audio	Line In, Line Out, Mic In
Watchdog Timer	N/A
Remote Boot	ThinManager 11 Ready
Expansion Slot	N/A
I/O Communication	
USB Port	4 x USB 2.0, 2 x USB 3.0
Serial Port	2 x RS-232 / 422 / 485
IEEE 1394	N/A
LAN	2 x Gigabit
Parallel	N/A
GPIO	N/A
Smart Battery	
External Smart Battery	N/A
OS Support	
OS Support	N/A
Power / Thermal Specs	
Power Requirement (Max)	24VDC / 5A
Power Consumption (Max)	81 W
Recommended Power Supply	120 W
Heat Dissipation	277 BTU/Hr
Physical Information	
Mounting	Wall Mount
New Weight	13 Lbs
Dimension (W x H x D)	9.89 x 3.94 x 7.09 inch 251.2 x 100.0 x 180.0 mm
IP/NEMA Rating	N/A
Certification	N/A
Environmental	
Operating Temperature	0~40°C (32~104°F)
Storage Temperature	-20~60°C (-4~140°F)
Relative Humidity	10% to 80%

Dimension Drawing

BoxPC-203-G01-00F
Size Unit: inch(mm)



Ordering Information

Item	BoxPC-203-G01-00F-DR
CPU	i7 Mobile
Memory	8GB DDR3
RAID	N/A
Storage	N/A
Remote Boot	ThinManager Ready, 4 x 4K HDMI
Power Supply	110/220VAC Input DIN-Rail